

RoHS

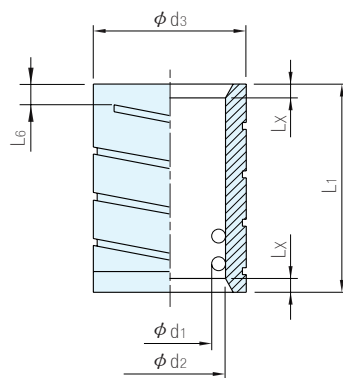
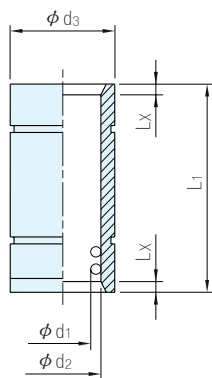


7800



7801

材質	硬度
1.3505軸承鋼	HRC62~64



品號	d1	d2	d3 js4	L1	L6	Lx	單價
7800.003.010	3	5	8 ±0.002	10	-	1.5	•
7800.003.020				20		1.5	•
7800.004.015	4	6	8 ±0.002	15	-	1.5	•
7800.004.020				20		1.5	•
7800.005.015	5	7	10 ±0.002	15	-	1.5	•
7800.005.020				20		1.5	•
7800.005.025				25		1.5	•
7800.006.015	6	9	12 ±0.0025	15	-	1.5	•
7800.006.020				20		1.5	•
7800.006.030				30		1.5	•
7800.008.020	8	11	15 ±0.0025	20	-	1.5	•
7800.008.025				25		1.5	•
7800.008.030				30		1.5	•
7800.008.035				35		1.5	•
7800.008.040				40		1.5	•
7800.010.020	10	14	20 ±0.003	20	-	1.5	•
7800.010.025				25		1.5	•
7800.010.030				30		1.5	•
7800.010.035				35		1.5	•
7800.010.040				40		1.5	•
7800.010.045				45		1.5	•
7801.012.023	12	16	22 ±0.003	23	4	2.0	•
7801.012.030				30	4	2.0	•
7801.012.037				37	5	2.0	•
7801.012.047				47	7	2.0	•

Ps. 備註

- 請參閱本單元導柱·導套·滾珠套使用例
- AGATHON產品是瑞士進口,缺貨時交期較久,請儘可能提前4週訂貨
- 模座導柱專用之有機鉬強力潤滑劑參閱化學產品單元S-00668

品 號	d1	d2	d3 js4	L1	L6	Lx	單 價
7801.015.030	15	21	28 ±0.003	30	4	2.0	•
7801.015.037				37	5	2.0	•
7801.015.047				47	7	2.0	•
7801.015.060				60	7	2.0	•
7801.016.023	16	22	28 ±0.003	23	4	2.0	•
7801.016.030				30	4	2.0	•
7801.016.037				37	5	2.0	•
7801.016.047				47	7	2.0	•
7801.016.060	19	25	32 ±0.0035	60	7	2.0	•
7801.019.030				30	4	2.0	•
7801.019.037				37	5	2.0	•
7801.019.047				47	7	2.0	•
7801.019.060	20	26	32 ±0.0035	60	7	2.0	•
7801.019.077				77	7	2.0	•
7801.020.030				30	4	2.0	•
7801.020.037				37	5	2.0	•
7801.020.047	24	30	40 ±0.0035	47	7	2.0	•
7801.020.060				60	7	2.0	•
7801.020.077				77	7	2.0	•
7801.024.037				37	5	2.0	•
7801.024.047	25	31	40 ±0.0035	47	7	2.0	•
7801.024.060				60	7	2.0	•
7801.024.077				77	7	2.0	•
7801.024.095				95	7	2.0	•
7801.025.037	30	38	48 ±0.0035	37	5	2.0	•
7801.025.047				47	7	2.0	•
7801.025.060				60	7	2.0	•
7801.025.077				77	7	2.0	•
7801.025.095	32	40	48 ±0.0035	95	7	2.0	•
7801.030.060				60	7	2.0	•
7801.030.077				77	7	2.0	•
7801.030.095				95	7	2.0	•
7801.032.060	38	46	58 ±0.004	60	7	2.0	•
7801.032.077				77	7	2.0	•
7801.032.095				95	7	2.0	•
7801.038.060				120	7	2.0	•
7801.038.077	40	48	58 ±0.004	60	7	2.0	•
7801.038.095				77	7	2.0	•
7801.038.120				95	7	2.0	•
7801.040.060				120	7	2.0	•
7801.040.077	48	56	70 ±0.004	77	7	2.0	•
7801.040.095				95	7	2.0	•
7801.040.120				120	7	2.0	•
7801.048.077				77	7	2.0	•
7801.048.095	50	58	70 ±0.004	95	7	2.0	•
7801.048.120				120	7	2.0	•
7801.050.077				77	7	2.0	•
7801.050.095				95	7	2.0	•
7801.050.120	60	68	85 ±0.005	120	7	2.0	•
7801.060.095				95	7	2.0	•
7801.060.120				120	7	2.0	•
7801.063.095				63	71	85 ±0.005	95
7801.063.120	120	7	2.0				•

Wa. 注意

- ・ 壓入配合會導致內徑收縮及變形,影響精度
- ・ 建議以厭氧膠LO680(參閱化學產品單元)黏著固定
- ・ 配合孔孔徑公差H5

訂貨: 品 號

交期: 1 天

7801.016

7801.019

7801.016.030

20 天

其它